



# ***WEDIN*** ***INTERNATIONAL INC.***

**Ball Screws - Acme Screws & Nuts -  
Gears & Splines - Reversing Screws**

- **Product Design Engineering Service**
- **24 Hour Ball Screw Repair Service**
- **Replacement Parts for Any Machine Tool**



Since 1936, the name “Wedin” has been synonymous with Machine Tool Drive Components and all types of Motion Control Systems. Through the years we have developed the experience and expertise needed to not only manufacture any machine tool part, but to be the leader in our field. Our company, both engineering and manufacturing, is comprised of the most talented group of people one will find.

At Wedin, we believe that “quality products” are our best salesmen with the most unique one of a kind part being just as important as high volume runs. We pride our company on going the “extra mile” to keep you, the customer, satisfied. This is a

guarantee that we stand behind in every product that passes through our door. We are very proud of our company and would welcome the opportunity to take you on a tour of our facility. If you have any questions concerning any of our products or need personal assistance, please do not hesitate to call.

**Sincerely,**

*Jack N. Rabun, Sr. – President  
Jack N. Rabun, Jr. – Vice President  
J. Neal Rabun III – Vice President  
Brian C. Rabun – Vice President Sales*



## Ball Screws

Wedin is the source for ball screws. We have the ability to handle any of your production needs, from high volume runs, to the most unique, one-of-a-kind assembly. Standard or metric, we have what you are looking for in a ball screw. Running two to three shifts seven days a week, we have the fastest lead times in our industry. "Super Service" turn around is available for those jobs that just can't wait.

Wedin has the ability to grind ball screws up to 19 inches in diameter or as small as 1/2 inch in diameter. We are not restricted by any length and have made ball screws up to 52 feet long. Our company also provides roll form and/or semi-precision thread forms. Call our engineering department and find out which style or type would be cost effective and applicable for your needs.

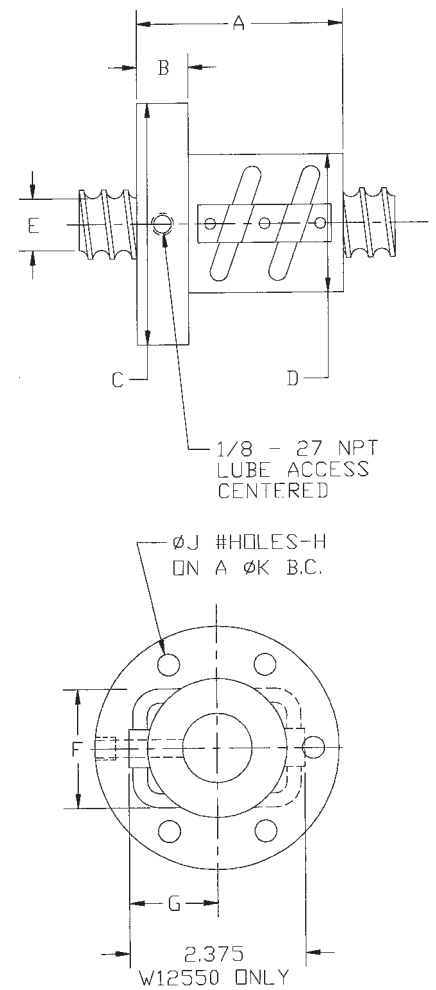
We can repair or replace any ball screw assembly! Whether your machine is foreign or American, we

can help. Simply send us your worn unit and we will thoroughly analyze it (free of charge). After analysis, you are notified of what we intend to do to get you back on line. From just a simple reload to regrinding the screw and manufacturing a new nut, we have the answer to your problem. Our repair service gives the customer a low cost alternative to paying the high price for an O.E.M. replacement. Wedin also offers 24 Hour Ball Screw Repair Service.

If you are considering retro-fitting your machinery to ball screws, we are your source. Simply send us your worn acme screw and we will manufacture a new ball screw assembly from your sample part. If the nut housing needs to be modified to allow the ball returns to function properly, we can perform this task as well. Call our engineering department and discuss your project requirements with us.

# Stock Ballscrews

NOMINAL SHAFT DIA.	RIGHT HAND PITCH	PART #	MAX. STOCK LENGTH	NOMINAL BALL DIA.	MAX. STATIC LOAD (lbs.)	MAX. DYNAMIC LOAD (lbs.)*
0.75	.200	W07520	72	.125	7,200	1,300
	.250	W07525		.156	8,000	1,820
1.00	.200	W10020	120	.125	13,700	1,950
	.250	W10025		.156	15,900	2,700
1.25	.200	W12520	144	.125	18,000	2,200
	.250	W12525		.156	21,400	3,130
	*2 start 1.00 lead .500	W12550		.156	12,200	3,040
1.50	.200	W15020	144	.125	17,500	2,040
	.250	W15025		.156	20,900	2,830
	.500	W15050		.250	29,000	6,170
1.75	.200	W17520	144	.125	53,900	5,000
	.250	W17525		.156	50,400	5,600
	.500	W17550		.250	35,800	6,800
2.00	.250	W20025	144	.156	42,100	4,640
	.500	W20050		.375	54,790	11,800
2.25	.250	W22525	144	.156	67,500	6,700
2.50	.250	W25025		.156	76,100	7,100



# Stock Ballnuts (Dimensional Information)

PART #	A	B	C	D	E	F	G	H	J	K
W07520	2.625	0.375	2.187	1.125	0.650	15/16	13/16	3	0.281	1.750
W07525	3.250	0.500	2.187	1.250	0.625	1.00	15/16	3	0.281	1.750
W10020	3.125	0.500	2.750	1.500	0.900	1-3/16	1.0	3	0.281	2.125
W10025	3.750	0.500	2.750	1.500	0.875	1-3/16	1-1/16	3	0.281	2.125
W12520	3.250	0.500	2.875	1.690	1.150	1-7/16	1-1/8	3	0.343	2.312
W12525	3.750	0.500	2.875	1.727	1.125	1-7/16	1-3/16	5	0.343	2.312
W12550	4.125	0.500	2.875	1.727	1.125	1-7/16	SEE DWG.	4	0.343	2.312
W15020	2.750	0.500	3.250	2.000	1.400	1-11/16	1-1/4	5	0.343	2.625
W15025	3.125	0.625	3.250	2.062	1.375	1-11/16	1-11/32	5	0.343	2.625
W15050	5.625	0.625	3.875	2.250	1.320	1-7/8	1-9/16	4	0.406	3.125
W17520	5.750	0.750	3.875	2.250	1.650	1-15/16	1-3/8	5	0.343	3.250
W17525	5.875	0.750	3.875	2.287	1.625	1-15/16	1-1/2	5	0.343	3.094
W17550	6.000	0.750	3.875	2.400	1.570	2-1/8	1-5/8	5	0.343	3.156
W20025	4.875	0.750	4.000	2.500	1.875	2-3/16	1-9/16	5	0.406	3.250
W20050	6.000	0.750	5.000	3.250	1.700	2-1/2	2-3/16	5	0.406	4.250
W22525	5.875	0.750	5.000	3.500	2.125	2-7/16	2-1/16	5	0.406	4.250
W25025	5.875	1.000	4.625	3.375	2.375	2-11/16	2.0	5	0.406	3.875

Notes: See accompanying pages for journal end information; \*dynamic load based upon  $1 \times 10^6$  inches of travel; other assemblies available upon request; shorter screw lengths available; lead accuracy = 0.0005"/ft. max; dimensions are in inches; nylon wipers included.

# Stock Journal Ends

Available with PART #'s	A	B	C	Full Flat D	E	F	G	H	J	STANDARD LOCK NUT	JOURNAL #
W07520	1.87	.87	$\frac{.500}{.499}$	.1250 X .0625	.433	$\frac{.5908}{.5905}$	2.62	$\frac{.6250}{.6245}$	1.50	N-02	J1
W07525	1.87	.87	$\frac{.500}{.499}$	.1250 X .0625	.433	$\frac{.5908}{.5905}$	2.62	$\frac{.6250}{.6245}$	1.50	N-02	J2
W10020	1.87	.87	$\frac{.500}{.499}$	.1250 X .0625	.433	$\frac{.5908}{.5905}$	2.62	$\frac{.6250}{.6245}$	1.50	N-02	J3
	2.37	1.06	$\frac{.625}{.624}$	.1875 x .0937	.551	$\frac{.7877}{.7873}$	3.15	$\frac{.7500}{.7495}$	1.50	N-04	J4
W10025	1.87	.87	$\frac{.500}{.499}$	.1250 x .0625	.433	$\frac{.5908}{.5905}$	2.62	$\frac{.6250}{.6245}$	1.50	N-02	J5
	2.37	1.06	$\frac{.625}{.624}$	.1875 x .0937	.551	$\frac{.7877}{.7873}$	3.15	$\frac{.7500}{.7495}$	1.50	N-04	J6
W12520	2.37	1.06	$\frac{.625}{.624}$	.1875 x .0937	.551	$\frac{.7877}{.7873}$	3.15	$\frac{.7500}{.7495}$	1.50	N-04	J7
	2.68	1.12	$\frac{.750}{.749}$	.1875 x .0937	.591	$\frac{.9846}{.9842}$	3.15	$\frac{1.0000}{.9995}$	1.50	N-05	J8
W12525	2.37	1.06	$\frac{.625}{.624}$	.1875 x .0937	.551	$\frac{.7877}{.7873}$	3.15	$\frac{.7500}{.7495}$	1.50	N-04	J9
	2.68	1.12	$\frac{.750}{.749}$	.1875 x .0937	.591	$\frac{.9846}{.9842}$	3.15	$\frac{1.0000}{.9995}$	1.50	N-05	J10
W12550	2.37	1.16	$\frac{.625}{.624}$	.1875 x .0937	.551	$\frac{.7877}{.7873}$	3.15	$\frac{.7500}{.7495}$	1.50	N-04	J11
	2.68	1.12	$\frac{.750}{.749}$	.1875 x .0937	.591	$\frac{.9846}{.9842}$	3.15	$\frac{1.0000}{.9995}$	1.50	N-05	J12
W15020	2.97	1.16	$\frac{1.000}{.999}$	.2500 x .1250	.630	$\frac{1.1814}{1.1810}$	4.00	$\frac{1.2500}{1.2495}$	1.75	N-06	J13
W15025	2.68	1.12	$\frac{.750}{.749}$	.1875 x .0937	.591	$\frac{.9846}{.9842}$	3.15	$\frac{1.0000}{.9995}$	1.50	N-05	J14
	2.97	1.16	$\frac{1.000}{.999}$	.2500 x .1250	.630	$\frac{1.1814}{1.1810}$	4.00	$\frac{1.2500}{1.2495}$	1.75	N-06	J15
W15050	2.97	1.16	$\frac{1.000}{.999}$	.2500 x .1250	.630	$\frac{1.1814}{1.1810}$	4.00	$\frac{1.2500}{1.2495}$	1.75	N-02	J16
W17520	4.19	2.00	$\frac{1.000}{.999}$	.3125 x .1562	.630	$\frac{1.5752}{1.5747}$	4.81	$\frac{1.6250}{1.6245}$	3.00	N-08	J17
W17525	4.19	2.00	$\frac{1.375}{1.374}$	.3125 x .1562	.906	$\frac{1.5752}{1.5747}$	4.81	$\frac{1.6250}{1.6245}$	3.00	N-08	J18
W17550	2.97	1.16	$\frac{1.000}{.999}$	.2500 x .1250	.630	$\frac{1.1814}{1.1810}$	4.00	$\frac{1.2500}{1.2495}$	1.75	N-06	J19
W20025	4.19	2.00	$\frac{1.375}{1.374}$	.3125 x .1562	.906	$\frac{1.5752}{1.5747}$	4.81	$\frac{1.6250}{1.6245}$	3.00	N-08	J20
	3.53	1.34	$\frac{1.375}{1.374}$	.3125 x .1562	.748	$\frac{1.7721}{1.7716}$	—	—	—	N-09	J21
W20050	4.19	2.00	$\frac{1.375}{1.374}$	.3125 x .1562	.906	$\frac{1.5752}{1.5747}$	4.81	$\frac{1.6250}{1.6245}$	3.00	N-08	J22
W22525	4.19	2.00	$\frac{1.375}{1.374}$	.3125 x .1562	.906	$\frac{1.5752}{1.5747}$	4.81	$\frac{1.6250}{1.6245}$	3.00	N-08	J23
	3.53	1.34	$\frac{1.375}{1.374}$	.3125 x .1562	.748	$\frac{1.7721}{1.7716}$	—	—	—	N-09	J24
W25025	4.93	2.06	$\frac{1.750}{1.749}$	.3750 x .1875	.827	$\frac{2.1659}{2.1563}$	5.87	$\frac{2.000}{1.999}$	3.00	N-11	J25
	6.18	2.50	$\frac{2.250}{2.249}$	.5000 x .2500	1.221	$\frac{2.3627}{2.3621}$	—	—	—	N-12	J26

NOTES: Other journal configurations available upon request; dimensions are in inches.

# Stock Journal Ends

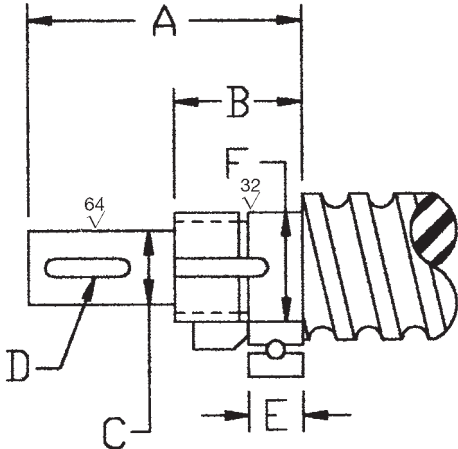
Available with PART #'s	K	L	M	Full Flat N	P	R	S	T	U	STANDARD LOCK NUT	JOURNAL #
W07520	2.31	1.31	$\frac{.500}{.499}$	.1250 X .0625	.866	$\frac{.5908}{.5905}$	3.18	2.18	1.732	N-02	J27
W07525	2.31	1.31	$\frac{.500}{.499}$	.1250 X .0625	.866	$\frac{.5908}{.5905}$	3.18	2.18	1.732	N-02	J28
W10020	2.31	1.31	$\frac{.500}{.499}$	.1250 X .0625	.866	$\frac{.5908}{.5905}$	3.18	2.18	1.732	N-02	J29
	2.91	1.59	$\frac{.625}{.624}$	.1875 X .0937	1.102	$\frac{.7877}{.7873}$	4.03	2.71	2.205	N-04	J30
W10025	2.31	1.31	$\frac{.500}{.499}$	.1250 X .0625	.866	$\frac{.5908}{.5905}$	3.18	2.18	1.732	N-02	J31
	2.91	1.59	$\frac{.625}{.624}$	.1875 X .0937	1.102	$\frac{.7877}{.7873}$	4.03	2.71	2.205	N-04	J32
W12520	2.91	1.59	$\frac{.625}{.624}$	.1875 X .0937	1.102	$\frac{.7877}{.7873}$	4.03	2.71	2.205	N-04	J33
	3.28	1.71	$\frac{.750}{.749}$	.1875 X .0937	1.181	$\frac{.9846}{.9842}$	4.44	2.88	2.362	N-05	J34
W12525	2.91	1.59	$\frac{.625}{.624}$	.1875 X .0937	1.102	$\frac{.7877}{.7873}$	4.03	2.71	2.205	N-04	J35
	3.28	1.71	$\frac{.750}{.749}$	.1875 X .0937	1.181	$\frac{.9846}{.9842}$	4.44	2.88	2.362	N-05	J36
W12550	2.91	1.59	$\frac{.625}{.624}$	.1875 X .0937	1.102	$\frac{.7877}{.7873}$	4.03	2.71	2.205	N-04	J37
	3.28	1.71	$\frac{.750}{.749}$	.1875 X .0937	1.181	$\frac{.9846}{.9842}$	4.44	2.88	2.362	N-05	J38
W15020	3.59	1.78	$\frac{1.000}{.999}$	.2500 X .1250	1.260	$\frac{1.1814}{1.1810}$	4.87	3.06	2.520	N-06	J39
W15025	3.28	1.71	$\frac{.750}{.749}$	.1875 X .0937	1.181	$\frac{.9846}{.9842}$	4.44	2.88	2.362	N-05	J40
	3.59	1.78	$\frac{1.000}{.999}$	.2500 X .1250	1.260	$\frac{1.1814}{1.1810}$	4.87	3.06	2.520	N-06	J41
W15050	3.59	1.78	$\frac{1.000}{.999}$	.2500 X .1250	1.260	$\frac{1.1814}{1.1810}$	4.87	3.06	2.520	N-06	J42
W17520	5.09	2.91	$\frac{1.375}{1.374}$	.3125 X .1562	1.811	$\frac{1.5752}{1.5747}$	6.91	4.71	3.622	N-08	J43
W17525	5.09	2.91	$\frac{1.375}{1.374}$	.3125 X .1562	1.811	$\frac{1.5752}{1.5747}$	6.91	4.71	3.622	N-08	J44
W17550	3.59	1.78	$\frac{1.000}{.999}$	.2500 X .1250	1.260	$\frac{1.1814}{1.1810}$	4.87	3.06	2.520	N-06	J45
W20025	5.09	2.91	$\frac{1.375}{1.374}$	.3125 X .1562	1.811	$\frac{1.5752}{1.5747}$	6.91	4.71	3.622	N-08	J46
	4.28	2.09	$\frac{1.375}{1.374}$	.3125 X .1562	1.496	$\frac{1.7721}{1.7716}$	5.78	3.59	2.992	N-09	J47
W20050	5.09	2.91	$\frac{1.375}{1.374}$	.3125 X .1562	1.811	$\frac{1.5752}{1.5747}$	6.91	4.71	3.622	N-08	J48
W22525	5.09	2.91	$\frac{1.375}{1.374}$	.3125 X .1562	1.811	$\frac{1.5752}{1.5747}$	6.91	4.71	3.622	N-08	J49
	4.28	2.09	$\frac{1.375}{1.374}$	.3125 X .1562	1.496	$\frac{1.7721}{1.7716}$	5.78	3.59	2.992	N-09	J50
W25025	5.75	2.87	$\frac{1.750}{1.749}$	.3750 X .1875	1.654	$\frac{2.1659}{2.1563}$	7.41	4.53	3.307	N-11	J51
	7.41	3.72	$\frac{2.250}{2.249}$	.5000 X .2500	2.441	$\frac{2.3627}{2.3621}$	9.87	6.18	4.882	N-12	J52

NOTES: Other journal configurations available upon request; dimensions are in inches.

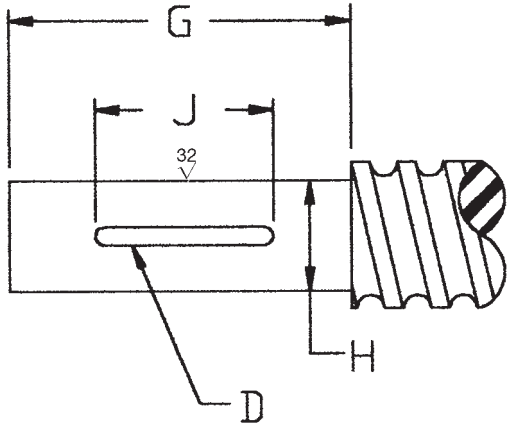
# Stock Journal Ends

## Configuration Types

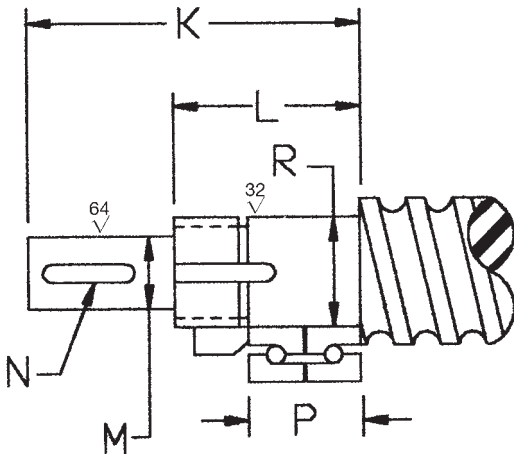
**Type A**  
(Single Bearings)



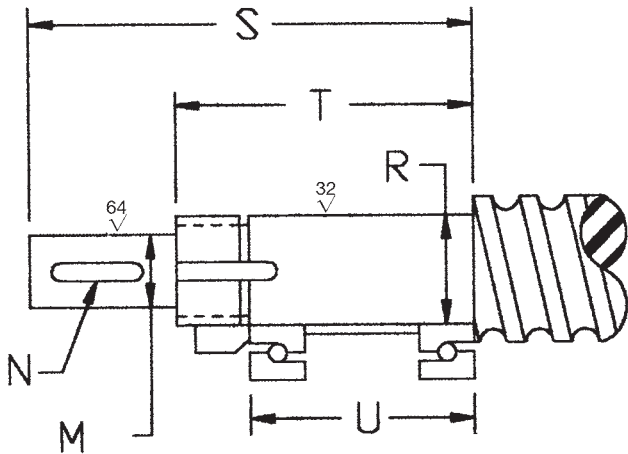
**Type B**  
(Pillow Block)



**Type C**  
(Duplex Bearings)



**Type D**  
(Multiple Bearings)



# Gears & Splines



Wedin can manufacture any style gear or spline. Through the years, we have collected and drawn prints for nearly every type of gear and/or spline configuration. With a large supply of gear tooling on hand, we can eliminate the high cost of tooling charges. We have the capability to manufacture gears with any type of pressure angles and axial pitches. Our company can manufacture the smallest of pump style gears to the largest bull gears and provide ground gears to AGMA 14.

Wedin can manufacture a new gear or spline for any machine tool, foreign or domestic. Our engineers, through reverse engineering of your sample part, can calculate the necessary pitch angle, pressure angles and helix to match that of the original part. Even if the gear is broken or the original manufacturer of your machine is no longer in business,

simply send us the broken gear and its mating part for quoting. Let us help you revitalize your older machinery without paying the high cost for an OEM replacement. Some of the common gear or spline configurations that we manufacture are: Worm Gears \* Spur Gears \* Straight Splines \* Bevel Gears \* Rack \* Helical Gears \* and \* Involute Splines. Module, Diametrical and Circular Pitches are manufactured daily in our plant.

We have the engineering expertise to design and manufacture custom built Gear Boxes for applications up to 125,000 RPM. Aerospace, Nuclear, Commercial, Military, Oil Field, Dredging, Automotive, Chemical and Textile - our engineers can design any gear box to your specification. We also reverse engineer and manufacture the internals to help with rebuilding or brake down situations.



Wedin manufactures all styles and types of acme screws and nuts. Through the years, we have manufactured acme screw assemblies for nearly every machine tool in existence. Sizes range from 1/8 inch up to 22 inch diameters. We do not have any length restriction under 6 inch diameter and have made complete assemblies over 100 ft. in length. We can handle any of your multi-start applications up to 16 lead.

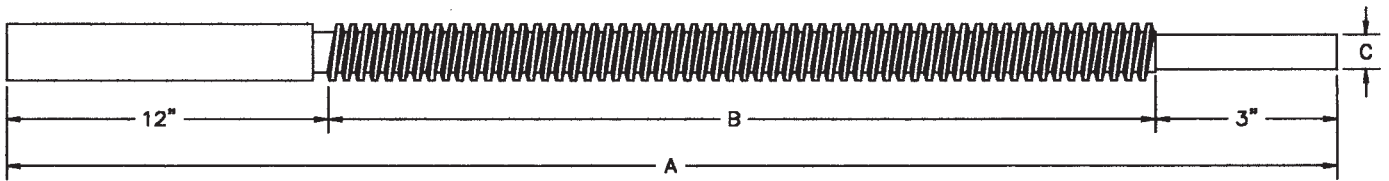
Wedin can manufacture acme screws and nuts from any sample. If your company has an older machine that is no longer producing quality parts due to lead screw problems, we can help. We will reverse engineer your sample parts and make your older machinery run like new. This service helps utilize older machines without spending capital dollars for high cost OEM replacements.

We offer a complete line of stock acme screws and nuts. We understand the need for fast turn around time and may have the part you are looking for in stock. Our stock screws range from 1/2 inch to 1-1/2 inch diameters. These include 4, 5, 6, 8 and 10 pitch screws. We offer two styles of stock nuts, the flange and pillow block, to accompany our stock screws. Thread diameters range from 1/2 inch to 1-1/2 inch; we offer adjustable nuts in each style. Our adjustable nuts will help control backlash and compensate for untimely wear.

We can manufacture the most complex and unique lead screw applications. Our company stocks reversing screws and nuts. We have been the leader in manufacturing these assemblies for years. Moglice nuts are also one of our specialties. Moglice is a resin matrix that is poured into a nut, which forms and hardens to the threads. This style of screw and nut works great for precise positioning with restrictions to relatively light loads. Our engineering department is available to answer any of your leadscrew application questions.



## Acme Screws & Nuts Special Thread Forms



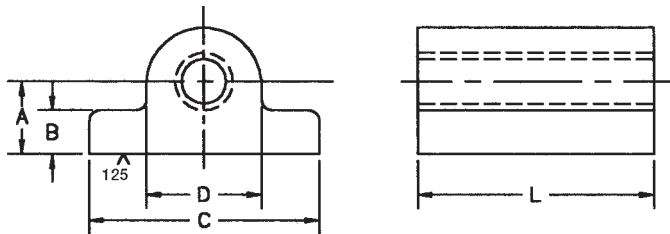
# Stock Lead Screws

STOCK NUMBER					DIA	DIM A.	DIM B.	DIM. C				
4 PITCH	5 PITCH	6 PITCH	8 PITCH	10 PITCH				4 PITCH	5 PITCH	6 PITCH	8 PITCH	10 PITCH
-	-	-	-	S10-B6	1/2	21	6	-	-	-	-	3/8
-	-	-	-	S10-B12	1/2	27	12	-	-	-	-	3/8
-	-	-	-	S10-B18	1/2	33	18	-	-	-	-	3/8
-	-	-	-	S10-B24	1/2	39	24	-	-	-	-	3/8
S4-C18	S5-C18	S6-C18	S8-C18	S10-C18	3/4	33	18	15/32	33/64	35/64	19/32	5/8
S4-C24	S5-C24	S6-C24	S8-C24	S10-C24	3/4	39	24	15/32	33/64	35/64	19/32	5/8
S4-C30	S5-C30	S6-C30	S8-C30	S10-C30	3/4	45	30	15/32	33/64	35/64	19/32	5/8
S4-D18	S5-D18	S6-D18	S8-D18	S10-D18	1	33	18	23/32	49/64	51/64	27/32	7/8
S4-D24	S5-D24	S6-D24	S8-D24	S10-D24	1	39	24	23/32	49/64	51/64	27/32	7/8
S4-D30	S5-D30	S6-D30	S8-D30	S10-D30	1	45	30	23/32	49/64	51/64	27/32	7/8
S4-D36	S5-D36	S6-D36	S8-D36	S10-D36	1	51	36	23/32	49/64	51/64	27/32	7/8
S4-D42	S5-D42	S6-D42	S8-D42	S10-D42	1	57	42	23/32	49/64	51/64	27/32	7/8
S4-D48	S5-D48	S6-D48	S8-D48	S10-D48	1	63	48	23/32	49/64	51/64	27/32	7/8
S4-D54	S5-D54	S6-D54	S8-D54	-	1	69	54	23/32	49/64	51/64	27/32	-
S4-D60	S5-D60	S6-D60	S8-D60	-	1	75	60	23/32	49/64	51/64	27/32	-
S4-D66	S5-D66	S6-D66	S8-D66	-	1	81	66	23/32	49/64	51/64	27/32	-
S4-E18	S5-E18	S6-E18	S8-E18	S10-E18	1-1/4	33	18	31/32	1-1/64	1-3/64	1-3/32	1-1/8
S4-E24	S5-E24	S6-E24	S8-E24	S10-E24	1-1/4	39	24	31/32	1-1/64	1-3/64	1-3/32	1-1/8
S4-E30	S5-E30	S6-E30	S8-E30	S10-E30	1-1/4	45	30	31/32	1-1/64	1-3/64	1-3/32	1-1/8
S4-E36	S5-E36	S6-E36	S8-E36	S10-E36	1-1/4	51	36	31/32	1-1/64	1-3/64	1-3/32	1-1/8
S4-E42	S5-E42	S6-E42	S8-E42	S10-E42	1-1/4	57	42	31/32	1-1/64	1-3/64	1-3/32	1-1/8
S4-E48	S5-E48	S6-E48	S8-E48	S10-48	1-1/4	63	48	31/32	1-1/64	1-3/64	1-3/32	1-1/8
S4-E54	S5-E54	S6-E54	S8-E54	-	1-1/4	69	54	31/32	1-1/64	1-3/64	1-3/32	-
S4-E60	S5-E60	S6-E60	S8-E60	-	1-1/4	75	60	31/32	1-1/64	1-3/64	1-3/32	-
S4-E66	S5-E66	S6-E66	S8-E66	-	1-1/4	81	66	31/32	1-1/64	1-3/64	1-3/32	-
S4-F30	S5-F30	S6-F30	S8-F30	S10-F30	1-1/2	45	30	1-7/32	1-17/64	1-19/64	1-11/32	1-3/8
S4-F36	S5-F36	S6-F36	S8-F36	S10-F36	1-1/2	51	36	1-7/32	1-17/64	1-19/64	1-11/32	1-3/8
S4-F42	S5-F42	S6-F42	S8-F42	S10-F42	1-1/2	57	42	1-7/32	1-17/64	1-19/64	1-11/32	1-3/8
S4-F48	S5-F48	S6-F48	S8-F48	S10-F48	1-1/2	63	48	1-7/32	1-17/64	1-19/64	1-11/32	1-3/8
S4-F54	S5-F54	S6-F54	S8-F54	-	1-1/2	69	54	1-7/32	1-17/64	1-19/64	1-11/32	-
S4-F60	S5-F60	S6-F60	S8-F60	-	1-1/2	75	60	1-7/32	1-17/64	1-19/64	1-11/32	-
S4-F66	S5-F66	S6-F66	S8-F66	-	1-1/2	81	66	1-7/32	1-17/64	1-19/64	1-11/32	-

NOTES: Dimensions are in inches.

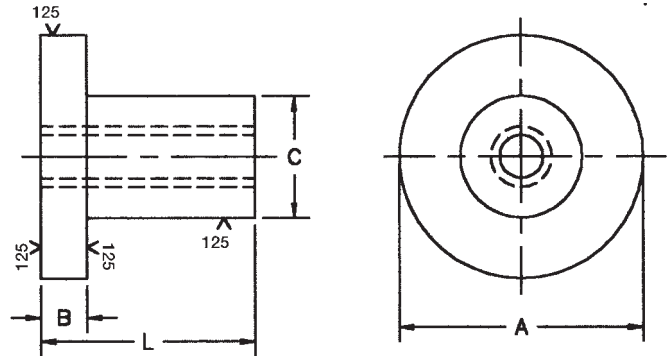
## Stock Pillow Type Bronze Nuts

PART NO.	THREAD DIA.	A	B	C	D	L
NB-1	1/2	5/8	3/8	2	1	1-3/4
NC-1	3/4	15/16	9/16	2-5/8	1-3/8	2-1/4
ND-1	1	1-1/8	5/8	3	1-5/8	3
NE-1	1-1/4	1-5/16	5/8	3-1/4	1-7/8	3-3/4
NF-1	1-1/2	1-1/2	3/4	3-5/8	2-1/8	4-1/2



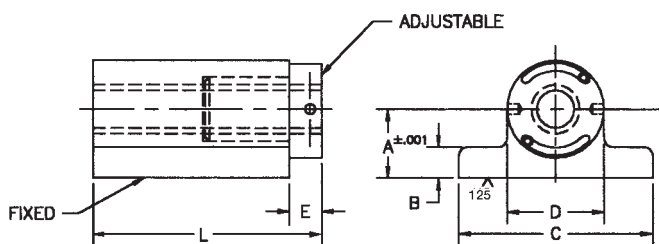
## Stock Flange Type Bronze Nuts

PART NO.	THREAD DIA.	A	B	C	L
NB-2	1/2	2	3/8	1	1-3/4
NC-2	3/4	2-5/8	9/16	1-3/8	2-1/4
ND-2	1	3	5/8	1-5/8	3
NE-2	1-1/4	3-1/4	5/8	1-7/8	3-3/4
NF-2	1-1/2	3-5/8	3/4	2-1/8	4-1/2



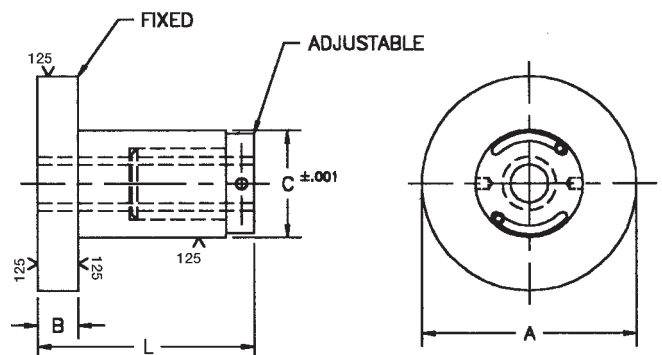
## Stock Pillow Adjustable Type Bronze Nuts

PART NO.	THREAD DIA.	A	B	C	D	E	L
NAB-1	1/2	.9375	9/16	2-5/8	1-3/8	7/16	2-11/16
NAC-1	3/4	1.125	5/8	3	1-5/8	1/2	3-1/2
NAD-1	1	1.3125	5/8	3-1/4	1-7/8	1/2	4-1/4
NAE-1	1-1/4	1.5000	3/4	3-5/8	2-1/8	1/2	5
NAF-1	1-1/2	1.6250	3/4	4	2-1/2	1/2	5-3/4

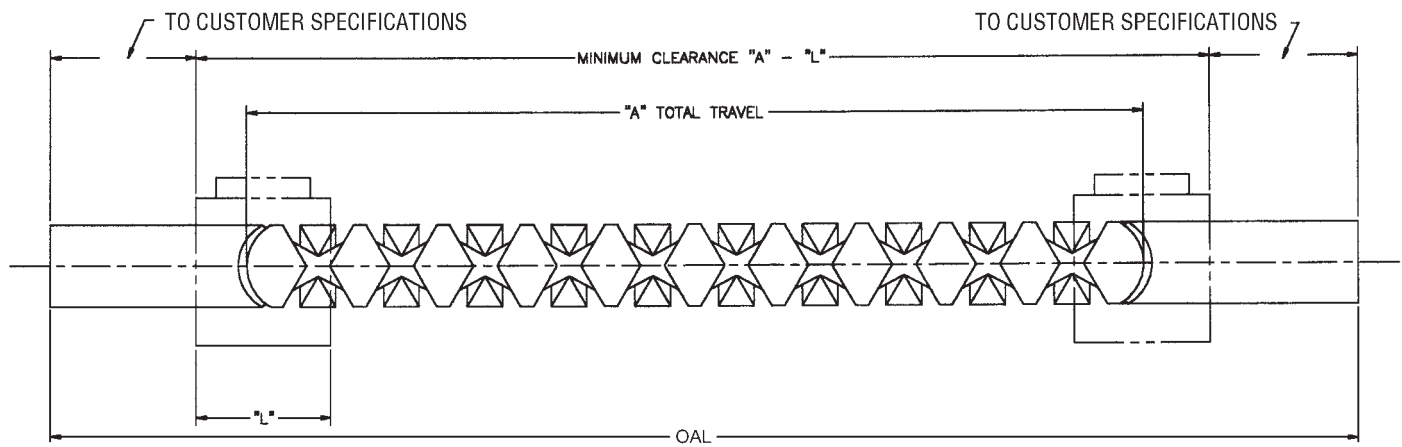


## Stock Flange Adjustable Type Bronze Nuts

PART NO.	THREAD DIA.	A	B	C	L
NAB-2	1/2	2-5/8	1/2	1.375	2-11/16
NAC-2	3/4	3	1/2	1.625	3-1/2
NAD-2	1	3-1/4	1/2	1.875	4-1/4
NAE-2	1-1/4	3-5/8	5/8	2.125	5
NAF-2	1-1/2	4-1/8	5/8	2.500	5-3/4



Notes: Threads are finished to specified pitch; when ordering - specify part number, pitch and right or left hand thread.



# Stock Reversing Screws

## 3/4" LEAD SERIES

0.750 Linear movement per revolution.  
Available in 3/4" diameter.

PART NO.	BASIC TRAVEL	"A" DIM ACTUAL TRAVEL	NO. REV
RC 80	6	5-13/16	8
RC 85	6-3/8	6-3/16	8.5
RC 90	6-3/4	6-9/16	9
RC 95	7-1/8	6-15/16	9.5
RC 100	7-1/2	7-5/16	10
RC 105	7-7/8	7-11/16	10.5
RC 110	8-1/4	8-1/16	11
RC 115	8-5/8	8-7/16	11.5
RC 120	9	8-13/16	12
RC 125	9-3/8	9-3/16	12.5
RC 130	9-3/4	9-9/16	13
RC 135	10-1/8	9-15/16	13.5
RC 140	10-1/2	10-5/16	14
RC 145	10-7/8	10-11/16	14.5
RC 150	11-1/4	11-1/16	15
RC 155	11-5/8	11-7/16	15.5
RC 160	12	11-13/16	16
RC 165	12-3/8	12-3/16	16.5
RC 170	12-3/4	12-9/16	17
RC 175	13-1/8	12-15/16	17.5
RC 180	13-1/2	13-5/16	18
RC 185	13-7/8	13-11/16	18.5
RC 190	14-1/4	14-1/16	19
RC 195	14-5/8	14-7/16	19.5
RC 200	15	14-13/16	20
RC 205	15-3/8	15-3/16	20.5
RC 210	15-3/4	15-9/16	21
RC 215	16-1/8	15-15/16	21.5
RC 220	16-1/2	16-5/16	22
RC 225	16-7/8	16-11/16	22.5
RC 230	17-1/4	17-1/16	23
RC 235	17-5/8	17-7/16	23.5
RC 240	18	17-13/16	24
RC 245	18-3/8	18-3/16	24.5
RC 250	18-3/4	18-9/16	25
RC 255	19-1/8	18-15/16	25.5
RC 260	19-1/2	19-5/16	26
RC 265	19-7/8	19-11/16	26.5
RC 270	20-1/4	20-1/16	27
RC 275	20-5/8	20-7/16	27.5
RC 280	21	20-13/16	28
RC 285	21-3/8	21-3/16	28.5
RC 290	21-3/4	21-9/16	29
RC 295	22-1/8	21-15/16	29.5
RC 300	22-1/2	22-5/16	30
RC 305	22-7/8	22-11/16	30.5
RC 310	23-1/4	23-1/16	31
RC 315	23-5/8	23-7/16	31.5
RC 320	24	23-13/16	32
RC 325	24-3/8	24-3/16	32.5

## 1" LEAD SERIES

1.000 Linear movement per revolution.  
Available in 1" diameter.

PART NO.	BASIC TRAVEL	"A" DIM ACTUAL TRAVEL	NO. REV
RD 100	10	9-3/4	10
RD 105	10-1/2	10-1/4	10.5
RD 110	11	10-3/4	11
RD 115	11-1/2	11-1/4	11.5
RD 120	12	11-3/4	12
RD 125	12-1/2	12-1/4	12.5
RD 130	13	12 3/4	13
RD 135	13-1/2	13 1/4	13.5
RD 140	14	13-3/4	14
RD 145	14-1/2	14-1/4	14.5
RD 150	15	14-3/4	15
RD 155	15-1/2	15-1/4	15.5
RD 160	16	15-3/4	16
RD 165	16-1/2	16-1/4	16.5
RD 170	17	16-3/4	17
RD 175	17-1/2	17-1/4	17.5
RD 180	18	17-3/4	18
RD 185	18-1/2	18-1/4	18.5
RD 190	19	18-3/4	19
RD 195	19-1/2	19-1/4	19.5
RD 200	20	19-3/4	20
RD 205	20-1/2	20-1/4	20.5
RD 210	21	20-3/4	21
RD 215	21-1/2	21-1/4	21.5
RD 220	22	21-3/4	22
RD 225	22-1/2	22-1/4	22.5
RD 230	23	22-3/4	23
RD 235	23-1/2	23-1/4	23.5
RD 240	24	23-3/4	24
RD 245	24-1/2	24-1/4	24.5
RD 250	25	24-3/4	25
RD 255	25-1/2	25-1/4	25.5
RD 260	26	25-3/4	26
RD 265	26-1/2	26-1/4	26.5
RD 270	27	26-3/4	27
RD 275	27-1/2	27-1/4	27.5
RD 280	28	27-3/4	28
RD 285	28-1/2	28-1/4	28.5
RD 290	29	28-3/4	29
RD 295	29-1/2	29-1/4	29.5
RD 300	30	29-3/4	30
RD 305	30-1/2	30-1/4	30.5
RD 310	31	30-3/4	31
RD 315	31-1/2	31-1/4	31.5
RD 320	32	31-3/4	32
RD 325	32-1/2	32-1/4	32.5
RD 330	33	32-3/4	33
RD 335	33-1/2	33-1/4	33.5
RD 340	34	33-3/4	34
RD 345	34-1/2	34-1/4	34.5

## 1-1/4" LEAD SERIES

1.250 Linear movement per revolution.  
Available in 1-1/4" diameter.

PART NO.	BASIC TRAVEL	"A" DIM ACTUAL TRAVEL	NO. REV
RE 100	12-1/4	12-3/16	10
RE 105	13-1/8	12-13/16	10.5
RE 110	13-3/4	13-7/16	11
RE 115	14-3/8	14-1/16	11.5
RE 120	15	14-11/16	12
RE 125	15-5/8	15-5/16	12.5
RE 130	16-1/4	15-15/16	13
RE 135	16-7/8	16-9/16	13.5
RE 140	17-1/2	17-3/16	14
RE 145	18-1/8	17-13/16	14.5
RE 150	18-3/4	18-7/16	15
RE 155	19-3/8	19-1/16	15.5
RE 160	20	19-11/16	16
RE 165	20-5/8	20-5/16	16.5
RE 170	21-1/4	20-15/16	17
RE 175	21-7/8	21-9/16	17.5
RE 180	22-1/2	22-3/16	18
RE 185	23-1/8	22-13/16	18.5
RE 190	23-3/4	23-7/16	19
RE 195	24-3/8	24-1/16	19.5
RE 200	25	24-11/16	20
RE 205	25-5/8	25-5/16	20.5
RE 210	26-1/4	25-15/16	21
RE 215	26-7/8	26-9/16	21.5
RE 220	27-1/2	27-3/16	22
RE 225	28-1/8	27-13/16	22.5
RE 230	28-3/4	28-7/16	23
RE 235	29-3/8	29-1/16	23.5
RE 240	30	29-11/16	24
RE 245	30-5/8	30-5/16	24.5
RE 250	31-1/4	30-15/16	25
RE 255	31-7/8	31-9/16	25.5
RE 260	32-1/2	32-3/16	26
RE 265	33-1/8	32-13/16	26.5
RE 270	33-3/4	33-7/16	27
RE 275	34-3/8	34-1/16	27.5
RE 280	35	34-11/16	28
RE 285	35-5/8	35-5/16	28.5
RE 290	36-1/4	35-15/16	29
RE 295	36-7/8	36-9/16	29.5
RE 300	37-1/2	37-3/16	30
RE 305	38-1/8	37-13/16	30.5
RE 310	38-3/4	38-7/16	31
RE 315	39-3/8	39-1/16	31.5
RE 320	40	39-11/16	32
RE 325	40-5/8	40-5/16	32.5
RE 330	41-1/4	40-15/16	33
RE 335	41-7/8	41-9/16	33.5
RE 340	42-1/2	42-3/16	34
RE 345	43-1/8	42-13/16	34.5

# Stock Reversing Screws

## 1-1/2" LEAD SERIES

1.500 Linear movement per revolution.  
Available in 1-1/2" diameter.

PART NO.	BASIC TRAVEL	"A" DIM ACTUAL TRAVEL	NO. REV
RF 100	15	14-5/8	10
RF 105	15-3/4	15-3/8	10.5
RF 110	16-1/2	16-1/8	11
RF 115	17-1/4	16-7/8	11.5
RF 120	18	17-5/8	12
RF 125	18-3/4	18-3/8	12.5
RF 130	19-1/2	19-1/8	13
RF 135	20-1/4	19-7/8	13.5
RF 140	21	20-5/8	14
RF 145	21-3/4	21-3/8	14.5
RF 150	22-1/2	22-1/8	15
RF 155	23-1/4	22-7/8	15.5
RF 160	24	23-5/8	16
RF 165	24-3/4	24-3/8	16.5
RF 170	25-1/2	25-1/8	17
RF 175	26-1/4	25-7/8	17.5
RF 180	27	26-5/8	18
RF 185	27-3/4	27-3/8	18.5
RF 190	28-1/2	28-1/8	19
RF 195	29-1/4	28-7/8	19.5
RF 200	30	29-5/8	20
RF 205	30-3/4	30-3/8	20.5
RF 210	31-1/2	31-1/8	21
RF 215	32-1/4	31-7/8	21.5
RF 220	33	32-5/8	22
RF 225	33-3/4	33-3/8	22.5
RF 230	34-1/2	34-1/8	23
RF 235	35-1/4	34-7/8	23.5
RF 240	36	35-5/8	24
RF 245	36-3/4	36-3/8	24.5
RF 250	37-1/2	37-1/8	25
RF 255	38-1/4	37-7/8	25.5
RF 260	39	38-5/8	26
RF 265	39-3/4	39-3/8	26.5
RF 270	40-1/2	40-1/8	27
RF 275	41-1/4	40-7/8	27.5
RF 280	42	41-5/8	28
RF 285	42-3/4	42-3/8	28.5
RF 290	43-1/2	43-1/8	29
RF 295	44-1/4	43-7/8	29.5
RF 300	45	44-5/8	30
RF 305	45-3/4	45-3/8	30.5
RF 310	46-1/2	46-1/8	31
RF 315	47-1/4	46-7/8	31.5
RF 320	48	47-5/8	32
RF 325	48-3/4	48-3/8	32.5
RF 330	49-1/2	49-1/8	33
RF 335	50-1/4	49-7/8	33.5
RF 340	51	50-5/8	34
RF 345	51-3/4	51-3/8	34.5

## 1-3/4" LEAD SERIES

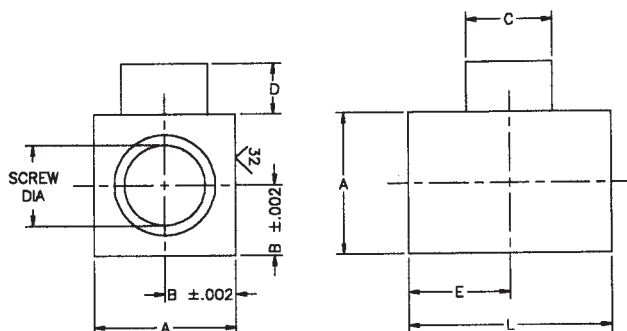
1.750 Linear movement per revolution.  
Available in 1-3/4" diameter.

PART NO.	BASIC TRAVEL	"A" DIM ACTUAL TRAVEL	NO. REV
RG 120	21	20-9/16	12
RG 125	21-7/8	21-7/16	12.5
RG 130	22-3/4	22-5/16	13
RG 135	23-5/8	23-3/16	13.5
RG 140	24-1/2	24-1/16	14
RG 145	25-3/8	24-15/16	14.5
RG 150	26-1/4	25-13/16	15
RG 155	27-1/4	26-11/16	15.5
RG 160	28	27-9/16	16
RG 165	28-7/8	28-7/16	16.5
RG 170	29-3/4	29-5/16	17
RG 175	30-5/8	30-3/16	17.5
RG 180	31-1/2	31-1/16	18
RG 185	32-3/8	31-15/16	18.5
RG 190	33-1/4	32-13/16	19
RG 195	34-1/8	33-11/16	19.5
RG 200	35	34-9/16	20
RG 205	35-7/8	35-7/16	20.5
RG 210	36-3/4	36-5/16	21
RG 215	37-5/8	37-3/16	21.5
RG 220	38-1/2	38-1/16	22
RG 225	39-3/8	38-15/16	22.5
RG 230	40-1/4	39-13/16	23
RG 235	41-1/8	40-11/16	23.5
RG 240	42	41-9/16	24
RG 245	42-7/8	42-7/16	24.5
RG 250	43-3/4	43-5/16	25
RG 255	44-5/8	44-3/16	25.5
RG 260	45-1/2	45-1/16	26
RG 265	46-3/8	45-15/16	26.5
RG 270	47-1/4	46-13/16	27
RG 275	48-1/8	47-11/16	27.5
RG 280	49	48-9/16	28
RG 285	49-7/8	49-7/16	28.5
RG 290	50-3/4	50-5/16	29
RG 295	51-5/8	51-3/16	29.5
RG 300	52-1/2	52-1/16	30
RG 305	53-3/8	52-15/16	30.5
RG 310	54-1/4	53-13/16	31
RG 315	55-1/8	54-11/16	31.5

## 2" LEAD SERIES

2.000 Linear movement per revolution.  
Available in 2" diameter.

PART NO.	BASIC TRAVEL	"A" DIM ACTUAL TRAVEL	NO. REV
RH 120	24	23-1/2	12
RH 125	25	24-1/2	12.5
RH 130	26	25-1/2	13
RH 135	27	26-1/2	13.5
RH 140	28	27-1/2	14
RH 145	29	28-1/2	14.5
RH 150	30	29-1/2	15
RH 155	31	30-1/2	15.5
RH 160	32	31-1/2	16
RH 165	33	32-1/2	16.5
RH 170	34	33-1/2	17
RH 175	35	34-1/2	17.5
RH 180	36	35-1/2	18
RH 185	37	36-1/2	18.5
RH 190	38	37-1/2	19
RH 195	39	38-1/2	19.5
RH 200	40	39-1/2	20
RH 205	41	40-1/2	20.5
RH 210	42	41-1/2	21
RH 215	43	42-1/2	21.5
RH 220	44	43-1/2	22
RH 225	45	44-1/2	22.5
RH 230	46	45-1/2	23
RH 235	47	46-1/2	23.5
RH 240	48	47-1/2	24
RH 245	49	48-1/2	24.5
RH 250	50	49-1/2	25
RH 255	51	50-1/2	25.5
RH 260	52	51-1/2	26
RH 265	53	52-1/2	26.5
RH 270	54	53-1/2	27
RH 275	55	54-1/2	27.5
RH 280	56	55-1/2	28
RH 285	57	56-1/2	28.5
RH 290	58	57-1/2	29
RH 295	59	58-1/2	29.5
RH 300	60	59-1/2	30
RH 305	61	60-1/2	30.5
RH 310	62	61-1/2	31
RH 315	63	62-1/2	31.5



# Stock Housing Assemblies

SCREW DIA.	LEAD SERIES	ASSEMBLY ORDER NO.	A	B	C	D	E	L
3/4	3/4	HCAC	1-3/8	11/16	7/8	1/2	15/16	1-7/8
1	1	HDAD	1-3/4	7/8	1-1/16	5/8	1-1/4	2-1/2
1-1/4	1-1/4	HEAD	2	1	1-1/4	7/8	1-9/16	3-1/8
1-1/2	1-1/2	HFAE	2-1/4	1-1/8	1-3/8	1	1-7/8	3-3/4
1-3/4	1-3/4	HGAF	2-3/4	1-3/8	1-11/16	1-1/16	2-3/16	4-3/8
2	2	HHAG	2-1/4	1-5/8	1-13/16	1-1/16	2-1/2	5

# Product Design Engineering Division

## ***C. A. D. Support Drawings***

Detail Prints  
3-D Drawings  
Surfacing

## ***Standard Mechanical Calculations***

Mechanical Properties  
Thermodynamics  
Electrical

## ***Machine Design***

Load and Fatigue  
Rigid and Elastic Connections  
Drives and Power Transmissions

## ***Rapid Prototyping***

Stereolithography Apparatus  
Laminated Object Manufacturing  
Metal, Clay, Wood and Plastic Modeling  
Rendering

## ***Plastics***

Injection Molding  
Extrusion  
Machining

## ***Finite Element Analysis***

Stress Calculations  
Deflection Calculations  
Mold Flow Analysis

## ***Architectural Design***

Cad Support  
Structural Design  
Scale Modeling

## ***System Testing***

Bridge Circuits  
Pressure Transducers  
Load Cells  
Linear Potentiometers



Wedin International's Product Design Division can provide professional and experienced help in making any design idea a reality. We offer complete turnkey service, from Rapid Prototyping to Full Production Runs. Our design group provides Cad/Cam support on any project. This includes the ability to utilize both three-dimensional and two-dimensional drawings in the design and manufacture of any product. Our Product Design Division can aid your company in maximizing production while integrating the latest concepts in engineering, ergonomics and the design for manufacture.

If your company has an overflow of work in the engineering department, or just needs help on a special project, let our qualified engineers assist. We are available to discuss your needs today.



*Wedin has produced the world's largest ball screw assemblies at over 50 feet in length.*





- Ball Screws
- Ball Splines
- Ball Screw/Assembly Repairs
- Ball Spline Repairs
- OEM Ball Screw/Mfg.
- 24-Hour Ball Screw Reload/Repair
- Acme Lead Screws & Nuts
- Bridgeport Mill Retro-Kits
- Brass and Bronze Nut Replacements
- Gears-All Types Up To A.G.M.A. 14
- High Speed Gear Boxes
- Ball Screw Support Bearings
- Reversing Screws & Nuts
- Spline Shafts
- Specialty Screws Up To 200 Threads Per Inch
- Large Screws Up To 19" in Dia.
- Special Thread Forms/Multi-Lead Screws
- Feed Bars
- Draw Bars
- Spindles
- Power Supplies
- Encoders
- N/C & CNC Controls
- AC & DC Drives, Controls & Servo Motors

***WEDIN***  
***INTERNATIONAL INC.***

1111 Sixth Avenue  
Cadillac, Michigan 49601  
1-800-75WEDIN  
(231) 779-8650  
fax: (231) 779-8673

Internet: [www.wedin.com](http://www.wedin.com)